



46001 Float - right

46002 Float - left

Colour: grey



46003 Frame - front



46004 Frame - rear



46005 Frame - left, right



46007 Trampoline



46008 Cleat

Maximum Rope 8 mm



46009 Fairlead

With stainless steel eyelet



46010 Bowsprit



46011 Staybold



46012 Keel fin

Polypropylen 6 mm, UV resistant



46013 Stainless steel ropes

Diameter 3 and 4 mm, Without Jib furler



46014 Jib furler



46015 Rudder blade
Fibreglass - epoxy, Colour: White



46016 Rudder assembly



46017 Tiller extension
Aluminium, length: 950 mm



46018 Rudder clip
Stainless steel, without Pintles



46019 Pintle
Stainless steel, diameter: 6 mm



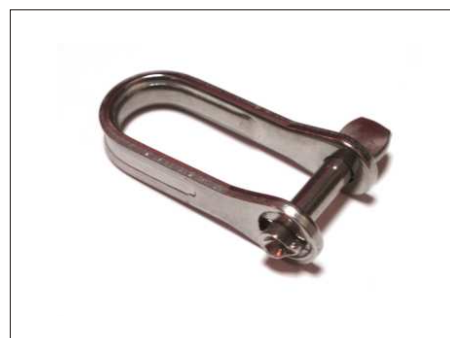
46020 Fiddle Block, Cleat



46021 Shroud
Without Shackles



46122 Shroud stensioner
Stainless steel



46023 Shackle Ø 5
straight type with key pin. Stainless steel



46024 Spring hook 50x5 mm
Stainless steel



46025 Roller cleat



46026 Jib cleat



46027* Mast parts

* 1 - lower part, 2 - second part, 3 - third
4 - upper part



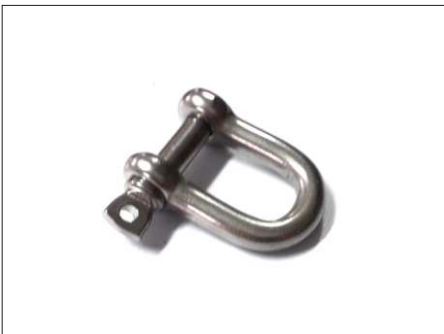
46028* Main sail

Complete with battens
* Colour: 1 - yellow, 2 - orange
3 - red, 4 - blue



46029* Jib

* Colour: 1 - yellow, 2 - orange
3 - red, 4 - blue



46031 Shackl M5

Stainless steel



46032 Block

(Main Sail)



46033* Minicat Bag

1 - Plastel, Dimension: 175 x 30 x 30 cm
2 - Plastel, Dimension: 100 x 30 x 30 cm



46034

Colour: grey



4 litres 6/3 litres

46035 Inflation pump 4 litres

46135 Inflation pump 6/3 litres

Pump commutable from double action
to single action (works while pushing only).



46036 Adapter for Valves



46037 Retaining Clip

Stainless steel



46038 Cable cover

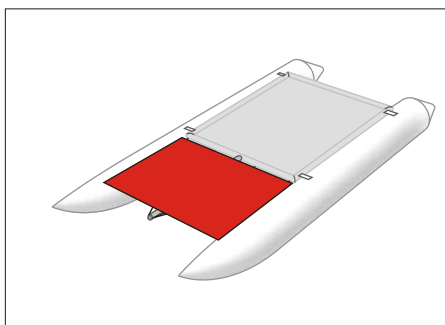
Single units, unpacked, white plastic



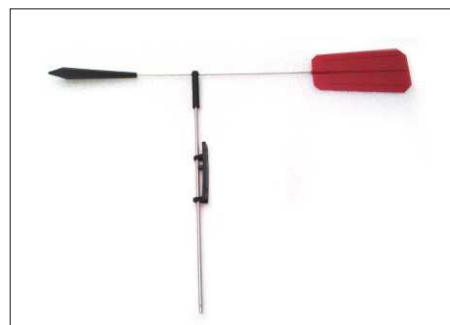
46039 Trapeze complete



46040 Engine support



46041 Additional Trampoline
Maximum load 20 kg



46042 Flag
Indicator of wind direction on the top of the mast.



46043 A telephone case
Protects against running water and also against short immersion in water.



46044 Waterproof sacks
Sizes: 5, 12, 23 and 40 litres.



46045 MiniCat Maintenance Kit



46046 Pressure Gauge



46047 Electric pump
The compressor powered by a car battery



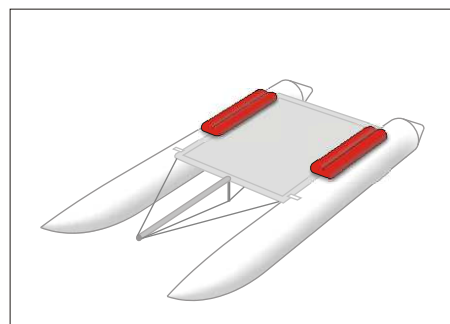
46048 Neopren shroud cover
Pair



46049 Float Support
Aluminium alloy



46050 Telescopic Paddle
Length 500 - 1150 mm



46052 Inflatable seats
Pair, Size: 130x30x12 cm, Weight :1,4 kg



46051 Transport trolley

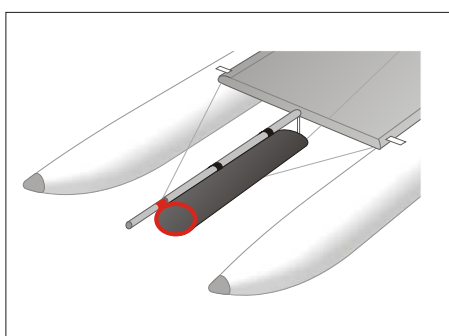


46055 Windmeter



46056 MiniCat Gennaker

Complete set, Black, 12 m²



46063 Gennaker Snuffer

Complete set



46057 Protective cover



46059 Rudder blade cover



46060 D-rings with glue



46061 Valve



46062 Valve Wrench



10501 Black Woolly Hat



10502 Black Cap



10504 Fish Key Ring

Anodized dural



10505 Compass



10506 Sailor Bag



10507 Wind Proof Jacket

XL ; XXL



10508 Banner MiniCat

3000 x 1000 mm



10509 Flag MiniCat

700 x 3000 mm



10401 MiniCat Bag

Plastel 500 x 300 x 250 mm



10403 T-shirt

L ; XL Black ; Red



10404 Polo shirt

L ; XL Black ; Red



10405 T-shirt

L ; XL



10406 Polo shirt

L ; XL



10510 UV Tech

Protectant & Rejuvenator 355 ml



10503

White Water Bottle