



46001 Float - right

46002 Float - left

Colour: grey



46003 Frame - front



46004 Frame - rear



46005 Frame - left, right



46007 Trampoline



46008 Cleat

Maximum Rope 8 mm



46009 Fairlead

With stainless steel eyelet



46010 Bowsprit



46011 Staybold



46012 Keel fin

Polypropylen 6 mm, UV resistant



46013 Stainless steel ropes

Diameter 3 and 4 mm, Without Jib furler



46014 Jib furler



**46015 Rudder blade**

*Fibreglass - epoxy, Colour: White*



**46016 Rudder assembly**



**46017 Tiller extension**

*Aluminium, length: 950 mm*



**46018 Rudder clip**

*Stainless steel, without Pintles*



**46019 Pintle**

*Stainless steel, diameter: 6 mm*



**46020 Fiddle Block, Cleat**



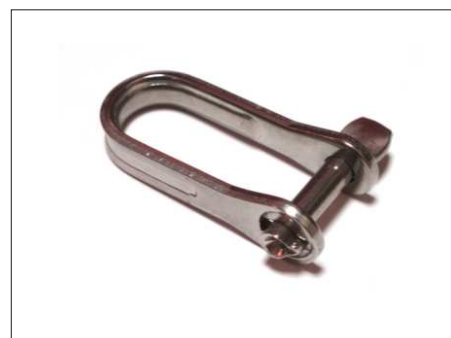
**46021 Shroud**

*Without Shackles*



**46122 Shroud stensioner**

*Stainless steel*



**46023 Shackl  $\varnothing$  5**

**46123 Shackl  $\varnothing$  6**

*straight type with key pin. Stainless steel*



**46024 Spring hook 50x5 mm**

*Stainless steel*



**46025 Roller cleat**

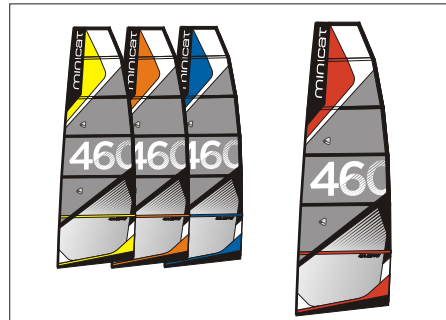


**46026 Jib cleat**



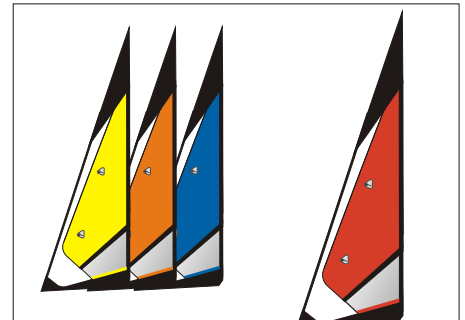
**46027\*** Mast parts

\* 1 - lower part, 2 - second part, 3 - third  
4 - upper part



**46028\*** Main sail

Complete with battens  
\*Colour: 1 - yellow, 2 - orange  
3 - red, 4 - blue



**46029\*** Jib

\* Colour: 1 - yellow, 2 - orange  
3 - red, 4 - blue



**46031** Shackl M5

Stainless steel



**46032** Block

(Main Sail)



**46033\*** Minicat Bag

1 - Plastel, Dimension: 175 x 30 x 30 cm  
2 - Plastel, Dimension: 100 x 30 x 30 cm



**46034** Minicat Repair Kit

Colour: grey



4 litres 6/3 litres

**46035** Inflation pump 4 litres

**46135** Inflation pump 6/3 litres

Pump commutable from double action  
to single action (works while pushing only).



**46036** Adapter for Valves



**46037** Retaining Clip

Stainless steel



**46038** Cable cover

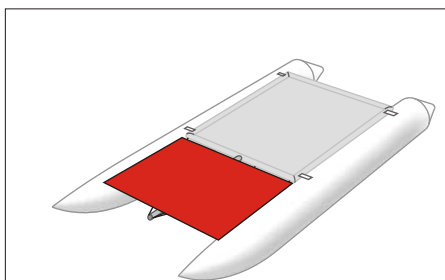
Single units, unpacked, white plastic



**46039** Trapeze complete



**46040 Engine support**



**46041 Additional Trampoline**

Maximum load 20 kg



**46042 Flag**

Indicator of wind direction on the top of the mast.



**46043 A telephone case**

Protects against running water and also against short immersion in water.



**46044 Waterproof sacks**

Sizes: 5, 12, 23 and 40 litres.



**46045 MiniCat Maintenance Kit**



**46046 Pressure Gauge**



**46047 Electric pump**

The compressor powered by a car battery



**46048 Neopren shroud cover**

Pair



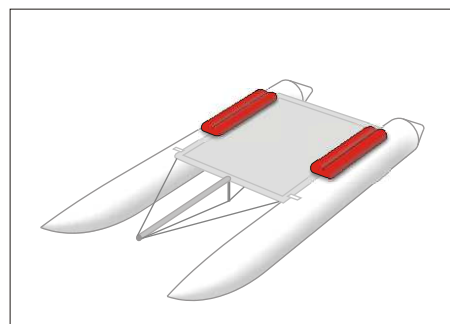
**46049 Float Support**

Aluminium alloy



**46050 Telescopic Paddle**

Length 500 - 1150 mm



**46052 Inflatable seats**

Pair, Size: 130x30x12 cm, Weight :1,4 kg





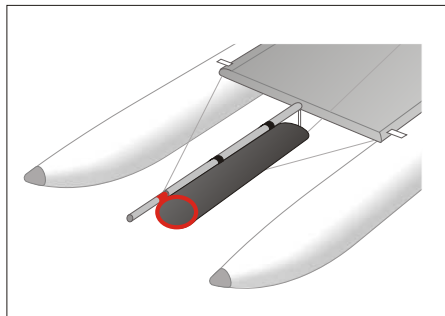
46051 Transport trolley



46055 Windmeter



46056 MiniCat Gennaker  
Complete set, Black, 12 m<sup>2</sup>



46063 Gennaker Snuffer  
Complete set



46057 Protective cover



46059 Rudder blade cover



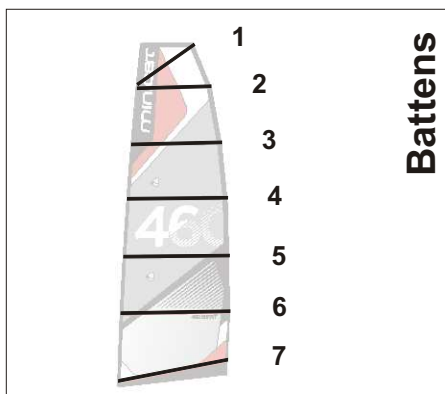
46060 D-rings with glue



46061 Valve



46062 Valve Wrench



**Battens**

- 1 46064 Batten 1080 mm
- 2 46065 Batten 1210 mm
- 3 46066 Batten 1470 mm
- 4 46067 Batten 1620 mm
- 5 46068 Batten 1710 mm
- 6 46069 Batten 1750 mm
- 7 46070 Batten 1750 mm



10501 Black Wooly Hat



10502 Black Cap



10504 Fish Key Ring  
Anodized dural



10505 Compass



10506 Sailor Bag



10507 Wind Proof Jacket  
XL ; XXL



10508 Banner MiniCat  
3000 x 1000 mm



10509 Flag MiniCat  
700 x 3000 mm



10401 MiniCat Bag  
Plastel 500 x 300 x 250 mm



10403 T-shirt  
L ; XL Black ; Red



10404 Polo shirt  
L ; XL Black ; Red



10405 T-shirt  
L ; XL



10406

**Polo shirt**

L ; XL



10510

**UV Tech**

Protectant & Rejuvenator 355 ml



10503

**White Water Bottle**