



31001 Float - right
31002 Float - left



31003 Trampoline - right
31004 Trampoline - left



31005 Seat - right
31006 Seat - left
Aluminium frame, transparent polyester board, Cleat, Block (excluding trampoline and keel fin)



31007 Keel fin



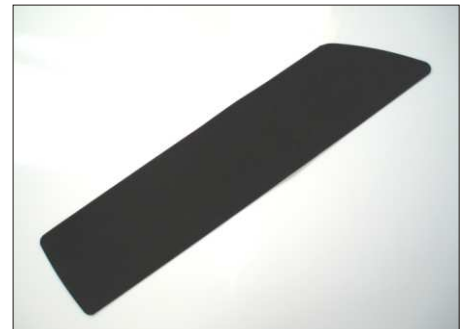
31008 Block
Seat



31009 Cleat
Rope capacity 2-8 mm



31010 Retaining Clip
Stainless steel

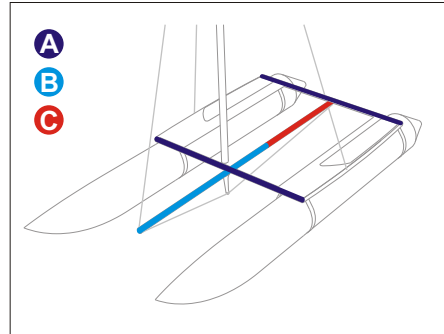


31011 Rubber - right
31012 Rubber - left
Material: Kontypor



31013 Keel fin clamp

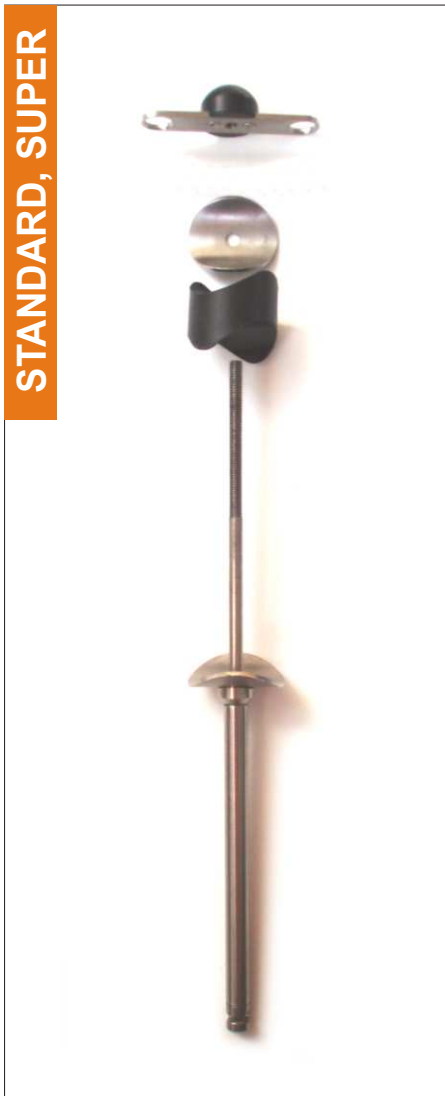
Stainless steel
40 x 16 x 2 mm



A 31014 Frame tube
Aluminium tube 40 x 2 x 1350 mm

B 31015 Central tube front
Aluminium tube 40 x 2 x 1350 mm

C 31016 Central tube back
Aluminium tube 40 x 2 x 950 mm



STANDARD, SUPER



31017 Joint female screw
Stainless steel



31019 Washer
Stainless steel, 40 x 40 x 2 mm



31020 Cross washer
Plastic

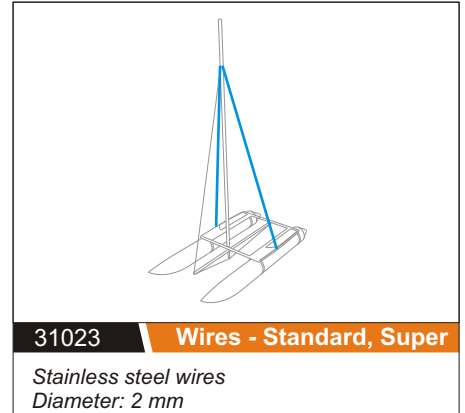


31021 Front screw
Stainless steel

SPORT

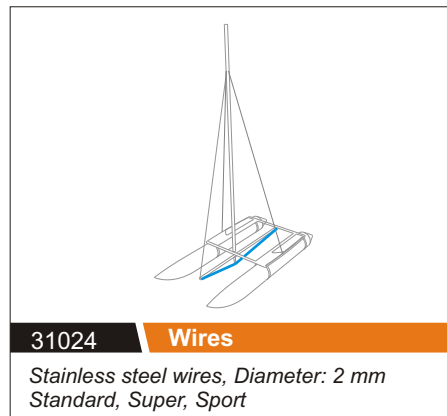


31022 Jib furler V-Cleat



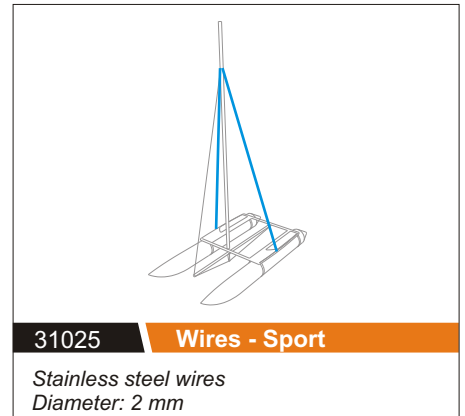
31023 Wires - Standard, Super

Stainless steel wires
Diameter: 2 mm



31024 Wires

Stainless steel wires, Diameter: 2 mm
Standard, Super, Sport



31025 Wires - Sport

Stainless steel wires
Diameter: 2 mm

SPORT, SUPER, STANDARD



31026 Back screw

M6 Stainless steel



31019 Washer

Stainless steel, 40 x 40 x 2 mm



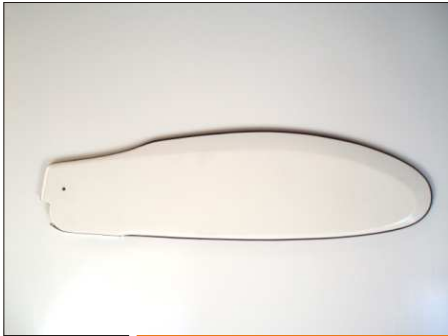
31020 Cross washer

Plastic



31027 Wing-nut

M6
Stainless steel



31028 Rudder blade

Colour: White



31029 Rudder assembly

Rudder casting, Tiller arm, Tiller extension



31030 Fiddle Block, Cleat



31031 Screw M6

M6 x 35 mm, Stainless steel



31032 Fairlead



31034 Mast - Standard, Super

31038 Mast - Sport

Aluminium segments 3x 1350 mm



31035 Block

(Main Sail)

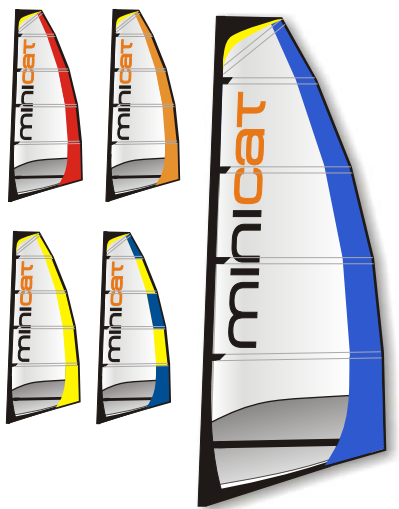


31037 Mast joint

Version: Super, Standard, Sport, Plastic

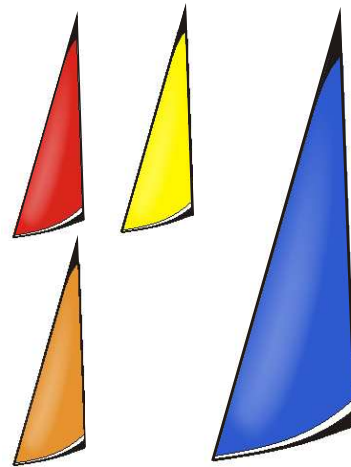


31042 Jib furler system



31049 * Sail - Sport, Standard, Super

*Colour:
1 - blue ; 2 - red ; 3 - yellow
4 - orange ; 5 - blue/yellow

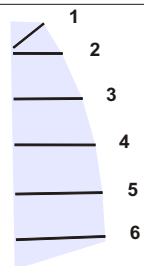


31050 * Jib - Sport
31051 * Jib - Super

*Colour:
1 - blue ; 2 - red ; 3 - yellow ; 4 - orange



31059 Valve



1	31053	Batten 655 mm
2	31054	Batten 760 mm
3	31055	Batten 1065 mm
4	31056	Batten 1240 mm
5	31057	Batten 1295 mm
6	31058	Batten 1270 mm




31060 Valve Wrench



31061 Inflation pump 4 litres
31161 Inflation pump 6/3 litres

Pump commutable from double action to single action (works while pushing only).



31062 MiniCat Repair Kit

Colour: Grey



31063 Bag for small parts

280 x 350 mm
Colour: Grey



31064 Minicat Bag

1400 x 300 x 400 mm



31065 Shackle

(Main Sail)
Stainless steel



31066 Electric pump 12 V

The compressor powered by a car battery



31067 MiniCat Maintenance Kit



31040 Rudder Pin

Stainless steel



31068 Engine support

A waterproof plywood board is easily fastened on the place of rudder mounting



31069 D-rings with glue



31070 Wind Flag

Indicator of wind direction on the top of the mast.



31071 Two smaller bags

The boat may be packed in two smaller and lighter bags instead of one bag.



31072 A telephone case

Protects against running water and also against short immersion in water.



31073 Waterproof sack 5l

31074 Waterproof sack 12l

31075 Waterproof sack 23l

31076 Waterproof sack 40l



31077 Pressure Gauge

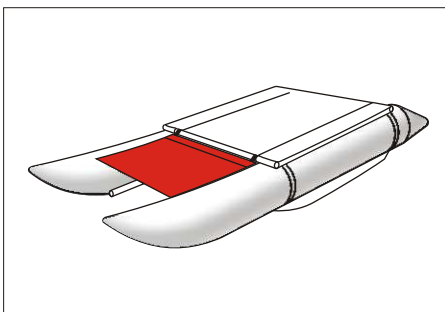


31078 Telescopic Paddle

Length 500 - 1150 mm.

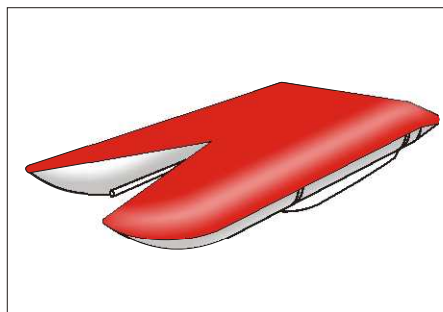


31079 Adapter for Valves



31080 Additional Trampoline

Maximum load 20 kg



31081 Protective cover



31082 Windmeter



31083 **MiniCat Bag**
Plastel 500 x 300 x 250 mm



10501 **Black Woolly Hat**



10502 **Black Cap**



10503 **White Water Bottle**



10504 **Fish Key Ring**
Anodized dural



10505 **Compass**



10506 **Sailor Bag**



10507 **Wind Proof Jacket**
XL ; XXL



10508 **Banner MiniCat**
3000 x 1000 mm



10509 Flag MiniCat
700 x 3000 mm



10403 T- shirt
L ; XL Black ; Red



10404 Polo shirt
L ; XL Black ; Red



10405 T-shirt
L ; XL



10406 Polo shirt
L ; XL



10510 UV Tech
Protectant & Rejuvenator 355 ml