



31001 Float - right  
31002 Float - left



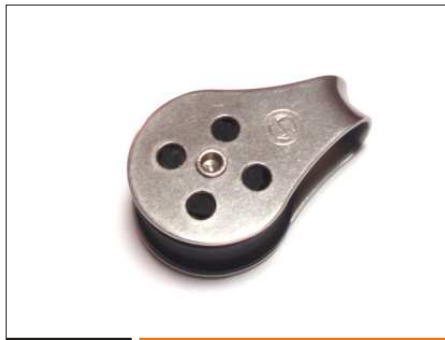
31003 Trampoline - right  
31004 Trampoline - left



31005 Seat - right  
31006 Seat - left  
Aluminium frame, transparent polyester board, Cleat, Block (excluding trampoline and keel fin)



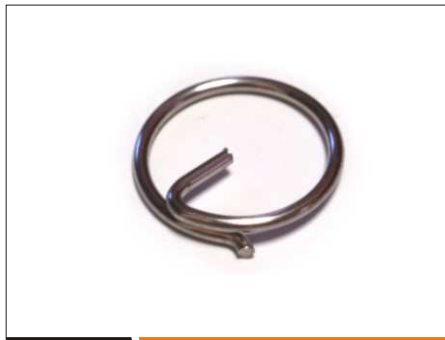
31007 Keel fin



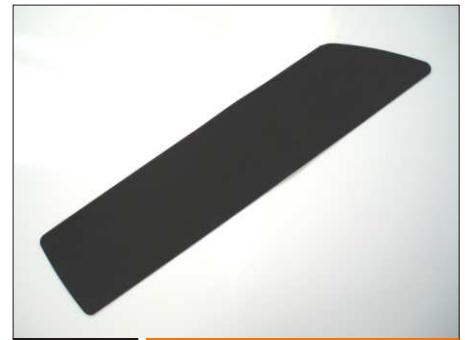
31008 Block  
Seat



31009 Cleat  
Rope capacity 2-8 mm



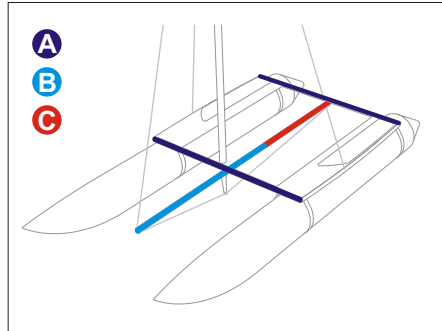
31010 Retaining Clip  
Stainless steel



31011 Rubber - right  
31012 Rubber - left  
Material: Kontypor



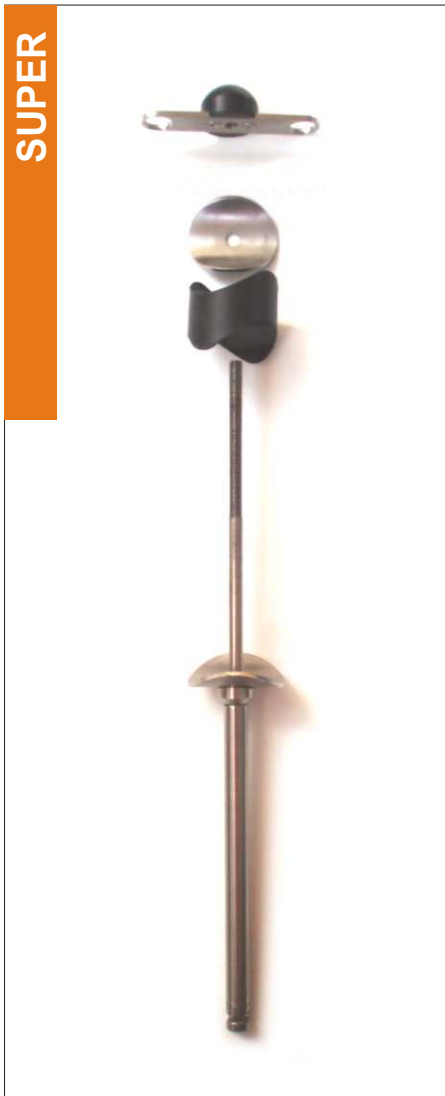
**31013 Keel fin clamp**  
Stainless steel  
40 x 16 x 2 mm



**A 31014 Frame tube**  
Aluminium tube 40 x 2 x 1350 mm

**B 31015 Central tube front**  
Aluminium tube 40 x 2 x 1350 mm

**C 31016 Central tube back**  
Aluminium tube 40 x 2 x 950 mm



SUPER



**31017 Joint female screw**  
Stainless steel



**31019 Washer**  
Stainless steel, 40 x 40 x 2 mm



**31020 Cross washer**  
Plastic

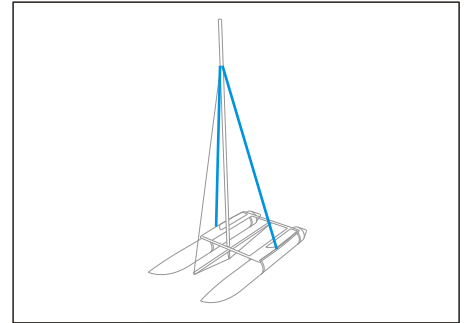


**31021 Front screw**  
Stainless steel

SPORT

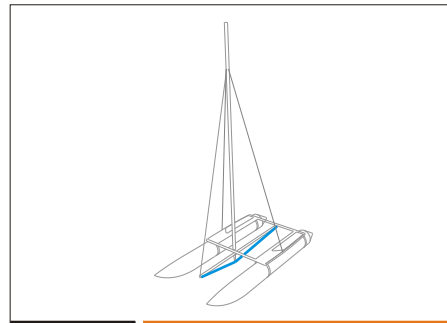


31022 Jib furler V-Cleat



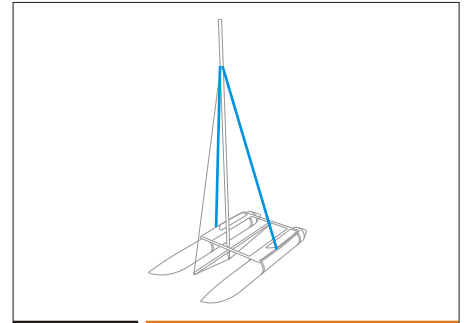
31023 Wires - Super

Stainless steel wires  
Diameter: 2 mm



31024 Wires

Stainless steel wires, Diameter: 2 mm  
Super, Sport



31025 Wires - Sport

Stainless steel wires  
Diameter: 2 mm

SPORT, SUPER



31026 Back screw

M6 Stainless steel



31019 Washer

Stainless steel, 40 x 40 x 2 mm



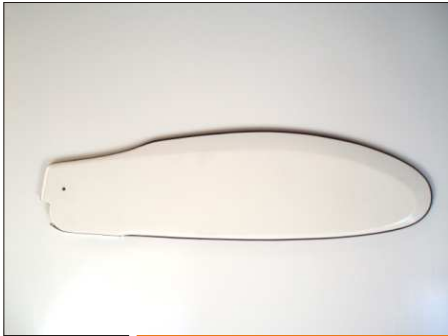
31020 Cross washer

Plastic



31027 Wing-nut

M6  
Stainless steel



31028 Rudder blade

Colour: White



31029 Rudder assembly

Rudder casting, Tiller arm, Tiller extension



31030 Fiddle Block, Cleat



31031 Screw M6

M6 x 35 mm, Stainless steel



31032 Fairlead



31034 Mast - Super

31038 Mast - Sport

Aluminium segments 3x 1350 mm



31035 Block

(Main Sail)



31037 Mast joint

Version: Super, Sport Plastic

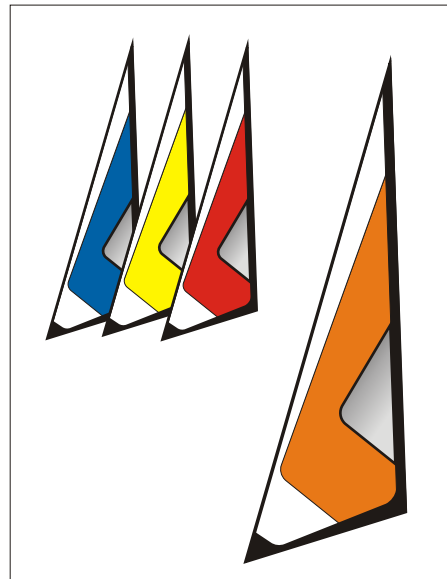


31042 Jib furler system



**31049 \* Sail - Sport, Super**

\*Colour:  
1 - blue ; 2 - red ; 3 - yellow  
4 - orange



**31050 \* Jib - Sport**

**31051 \* Jib - Super**

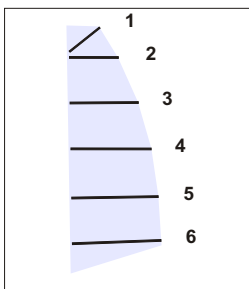
\*Colour:  
1 - blue ; 2 - red ; 3 - yellow ; 4 - orange



**31059 Valve**



**31060 Valve Wrench**



1	31053	Batten 655 mm
2	31054	Batten 760 mm
3	31055	Batten 1065 mm
4	31056	Batten 1240 mm
5	31057	Batten 1295 mm
6	31058	Batten 1270 mm



4 litres      6/3 litres

**31061 Inflation pump 4 litres**

**31161 Inflation pump 6/3 litres**

*Pump commutable from double action to single action (works while pushing only).*



**31062 MiniCat Repair Kit**

Colour: Grey



**31063 Bag for small parts**

280 x 350 mm  
Colour: Grey



**31064 Minicat Bag**

1400 x 300 x 400 mm



**31065 Shackle**

(Main Sail)  
Stainless steel



**31066 Electric pump 12 V**

The compressor powered by a car battery

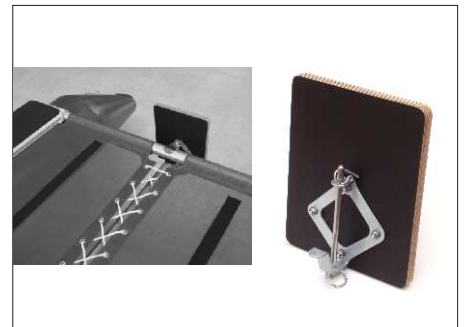


**31067 MiniCat Maintenance Kit**



**31040 Rudder Pin**

Stainless steel



**31068 Engine support**

A waterproof plywood board is easily fastened on the place of rudder mounting



**31069 D-rings with glue**



**31070 Wind Flag**

Indicator of wind direction on the top of the mast.



**31071 Two smaller bags**

The boat may be packed in two smaller and lighter bags instead of one bag.



**31072** A telephone case

*Protects against running water and also against short immersion in water.*



**31073** Waterproof sack 5l

**31074** Waterproof sack 12l

**31075** Waterproof sack 23l

**31076** Waterproof sack 40l



**31077** Pressure Gauge

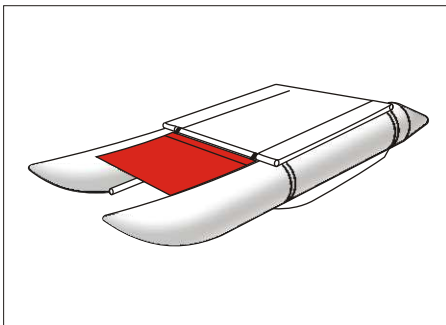


**31078** Telescopic Paddle

*Length 500 - 1150 mm.*

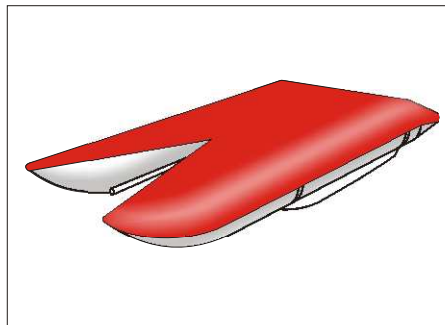


**31079** Adapter for Valves



**31080** Additional Trampoline

*Maximum load 20 kg*



**31081** Protective cover



**31082** Windmeter



31083 **MiniCat Bag**  
Plastel 500 x 300 x 250 mm



10501 **Black Woolly Hat**



10502 **Black Cap**



10503 **White Water Bottle**



10504 **Fish Key Ring**  
Anodized dural



10505 **Compass**



10506 **Sailor Bag**



10507 **Wind Proof Jacket**  
XL ; XXL



10508 **Banner MiniCat**  
3000 x 1000 mm





**10509** Flag MiniCat  
700 x 3000 mm



**10403** T-shirt  
L ; XL Black ; Red



**10404** Polo shirt  
L ; XL Black ; Red



**10405** T-shirt  
L ; XL



**10406** Polo shirt  
L ; XL



**10510** UV Tech  
Protectant & Rejuvenator 355 ml